

Reversible propeller pump

Designed for anti heeling applications

- Flow from 270 up to 1750 m³.
- Reduced demand for service space.
- Media lubricated slide bearing.
- Rigid and robust construction.
- Simple and reliable design.
- Sea- or fresh water service.
- Media flushed shaft seal.
- Standard electro motor.
- Reversible operation.



IRONPUMP

world class water pumps

Applications:

The IRON Pump A/S propeller pump Type QT is primarily operating on heeling duties, where large capacities, low heads and two-way operation are of essential importance.

Other applications, such as condenser cooling services is also mastered by the QT series.

Options:

Mechanical shaft seal or stuffing box.

Pump housing material in cast iron or aluminum bronze.

Flanges configuration available in DN, ANSI and JIS.

Accessories:

Venting device for removing air in the impeller housing.

Grease lubrication of the slide bearing in harsh Conditions.

Advantages:

Strong: More than 50 years but still going strong – the unique design has proven its worth with reliability and flexibility, and can be found on most types of vessels throughout the world.

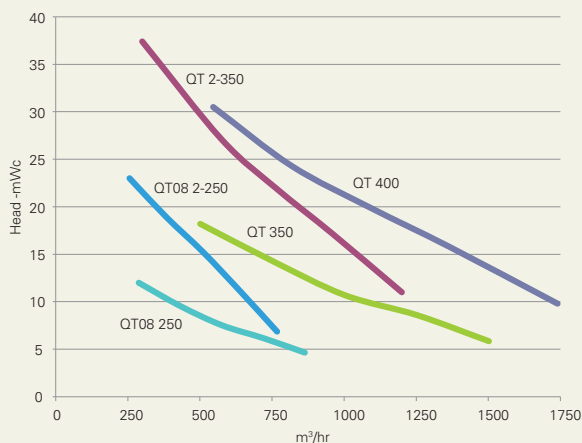
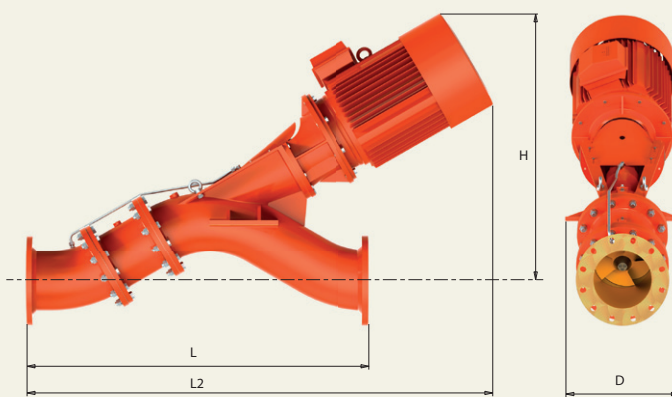
Simple: The simple design not only provides a rigid and robust construction but also facilitates quick inspection and service. The wide use of standard components ensures reduced cost on spare parts.

Easy: The significant Y-configuration not only allows installation in narrow space, but also in any orientation.

Efficient: The propeller shaft is coupled to the motor in a straight line via a flexible coupling.

All standard motors can be mounted, in order to achieve best possible efficiency and accommodate customer demands. Motors with frequency converters can be used for further improvement.

Flexible: QT pumps offers large flow and low head as the application demands. Depending on operational requirements the QT pumps can be supplied as a single or multi staged propeller pump with the possibility of changing from one to two stages in order to improve performance without changing the piping.

Performance Curve**Over all dimension**

Type	Q [m ³] min/max	mWc [m] max/min	Weight* [Kg]	L [mm]	L2 [mm]	D [mm]	H [mm]
QT08 250	288 · 864	12,0 · 4,65	1020	1500	1860-2250	500	1030-1330
QT08 2-250	256 · 768	23,0 · 6,86	1350	1500	1860-2250	500	1030-1330
QT 350	501 · 1502	18,2 · 5,85	1610	1500	2330-2610	500	1360-1560
QT 2-350	300 · 1200	37,4 · 11,0	1620	1560	2330-2610	600	1360-1560
QT 400	546 · 1740	30,6 · 9,80	2000	1880	2370-3000	740	1420-1710

* Total pump weight is calculated on basis of bronze pumps with largest motor. Consult our sales department for specific calculations.

IRON PUMP A/S has designed, developed and produced pumps for more than 100 years. We supply a wide range of high quality pumps, all able to be individually adapted and customized to meet client demands.

Every pump is assembled and tested at our in-house production and test facility to ensure quality. They can all be delivered with the most common certification regarding use in marine applications, as well as for material-environment- and quality assurance.

